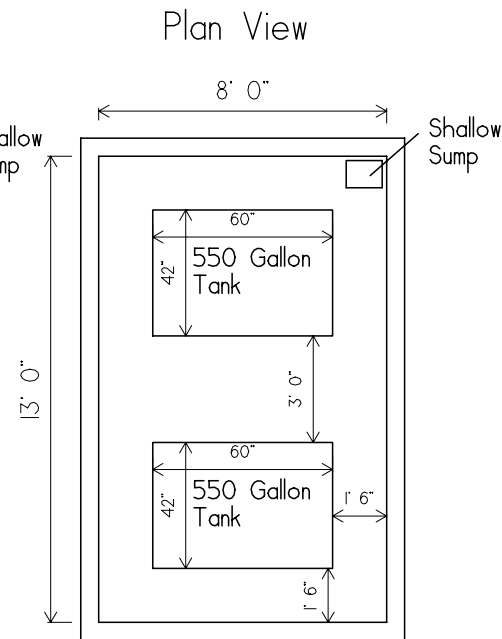
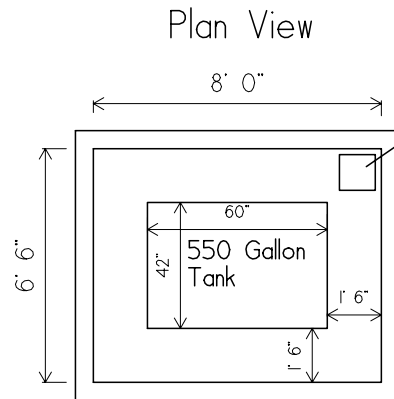


Secondary Containment
 500 gallon horizontal tank
 (Interior Dimensions)
 Capacity = 780 gallons
 Capacity is 142% of tank
 125% capacity is required
 Minimum 1" between tank and walls
 4.5 C.Y. 3500 psi Concrete
 300' #4 60 ksi steel rebar



Secondary Containment
 2 - 500 gallon horizontal tanks
 (Interior Dimensions)
 Capacity = 1560 gallons
 Capacity is 142% of both tanks
 125% capacity is required
 Minimum 1" between tanks and walls
 Minimum 3' between tanks
 6.5 C.Y. 3500 psi Concrete
 500' #4 60 ksi steel rebar

David W. Kammel
 Biological Systems Engineering Dept.
 460 Henry Mall
 Madison, WI 53706
 608 262-9776

Fuel Tank Secondary Containment